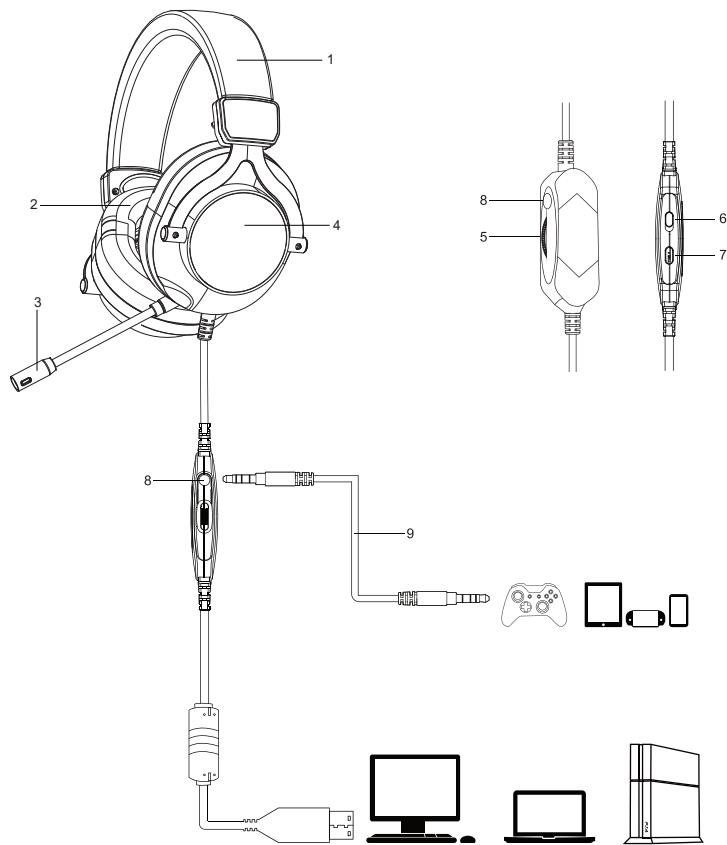


GALAX

# USER MANUAL

SNR-03



- 1.Headband
- 2.Ear pad
- 3.Microphone
- 4.LED light
- 5.Volume +/-
6. LED light on/off
- 7.Microphone on/off
- 8.3.5mm Jack
- 9.3.5mm audio cable

## Technical Parameters

### Speaker parameters

Magnet:NdFeB  
Size:Φ50MM  
Sensitivity: 106dB ±3dB (@ 1KHZ)  
Impedance:32Ω±15%  
Frequency Range: 20HZ-20KHZ  
Rated Power: 20MW  
Maximum power:30MW

### Microphone parameters

Type:Electret condenser microphone  
Size:6.0\*2.7mm  
Sensitivity: -42dB ±3dB  
SNR: 58DB  
Output Impedance: ≤2.2KΩ  
Directivity: Omnidirectional

Chipset:Cmedia 108B  
Size:170\*95\*210mm  
Weight:415g  
Plug:USB2.0  
Cable length:2.2M

## Accessories

3.5mm audio cable:1\*1.2M

## Instructions

- 1.Using on PC and laptop,insert the plug into USB port directly ,then install virtual7.1 software driver.Using on PS4,insert the plug into PS4 USB port directly
- 2.Using on gammpad of PS4,XBOX.Switch,tablet,mobile phone, please insert 3.5mm audio cable into 3.5mm jack on cable controller first , then connect 3.5mm audio with device's 3.5mm jack.
- 3.Scroll up or down the volume button of cable controller to adjust the volume
- 4.Push up or down the mic button to turn on or off the mic.
5. Press the led light button to turn on /off the light.